

ESPSC

Monocrystalline Solar Module

Q High-quality
With 72 cells and 3 bypass diodes in power classes from 300 to 370 Wp for grid connected systems.

\$ Reliable
The high quality level of ERA SOLAR guarantees long life-time and high earnings.

kg Solid
An Aluminium hollow-chamber frame on each side combined with low-iron and tempered solar glass ensures high load capacity resistance.

Wp Performance guarantee
ERA SOLAR grants a power guarantee of 90% of nominal power output up to 10 years and 80% up to 25 years.

+ WATTS POSITIVE TOLERANCE

10 YEARS PRODUCT WARRANTY

10 YEARS PERFORMANCE GUARANTEE 90%

25 YEARS PERFORMANCE GUARANTEE 80%



ESPSC

Monocrystalline Solar Module

SPECIFICATIONS

Dimensions	1956 x 992 x 35 mm 1956 x 992 x 40 mm 1956 x 992 x 45 mm
Weight	21.5 kg
Frame	Aluminium hollow-chamber frame on each side
Glass	Low-iron and tempered glass 3.2 mm
Cells	72 pcs Mono-crystalline Si-cells (156 x 156 mm)
Cell Embedding	EVA
Back-Foil	TÜV certified FEVE / PET/ FEVE
Junction Box	
Cable	4 mm ² solar cable 2 x 900 mm
Temperature Range	-40°C ... +85°C
Load Capacity	5400 Pa
Application class	Class A
Electrical protection class	Class II
Fire safety class	Class C
Product Warranty	10 years
Power Guarantee	10 years 90% 25 years 80%

CHARACTERISTICS

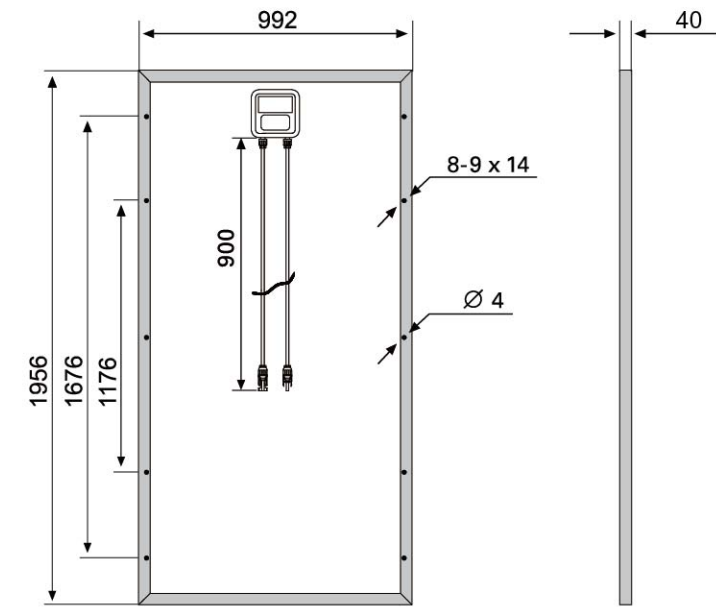
Max. System Voltage	1000V/DC
Temperature-Coefficient I _{sc}	+0.02973%/°K
Temperature-Coefficient V _{oc}	-0.38038%/°K
Temperature-Coefficient P _{mpp}	-0.57402%/°K
NOCT***	45°C

CERTIFICATES

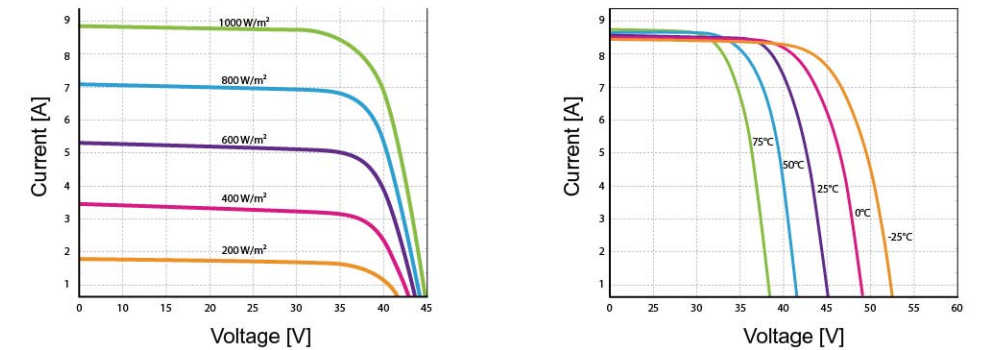
IEC 61215 edition 2 (TÜV Nord)
IEC 61730 MCS INMETRO
CE CEC SALT-MIST
PID Resistant

INSURANCE

Chubb



CURRENT-VOLTAGE CURVES



Module characteristics at constant module temperatures (25°C) and different levels of irradiance.

Module characteristics at different module temperatures and constant module irradiance (1.000 W/m²).

ESPSC TYPE	300	330	340	350	360	370
Power Class	300W	330W	340W	350W	360W	370W
Max. Power Voltage (V _{mpp})* at STC**	37V	37.95V	38.5V	39.1V	39.6V	40.1V
Max. Power Current (I _{mpp}) at STC	8.1A	8.7A	8.84A	8.96A	9.1A	9.23A
Open Circuit Voltage (V _{oc}) at STC	44.8V	45.75V	46.4V	47.1V	47.7V	48.3V
Short Circuit Current (I _{sc}) at STC	8.7A	9.3A	9.45A	9.6A	9.8A	9.95A
Module Efficiency	15.4 %	17 %	17.5%	18%	18.5%	19%

* MPP: Maximum Power Point
** STC (Standard Test Conditions): 1000W/m², 25°C, AM 1.5
*** Normal Operating Cell Temperature

